

## GPS COMPASS JLR-20



Sensor unit NNN-20



Display unit NWZ-4700

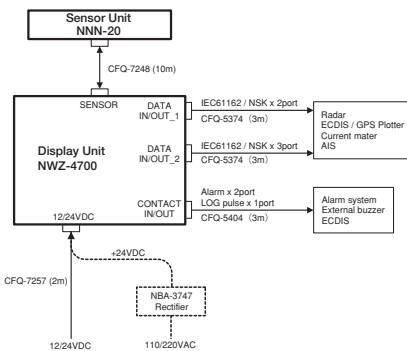
### FEATURES

- High accuracy and high stability (0.5° rms)
- Short settling time (less than 2 minutes at warm start fix)
- High speed tracking response (Tracking rate of turn is 45°/sec)
- High visibility 5.7" FSTN LCD
- Multiple utility display modes (Compass rose, ROT, NAV, GPS status, etc.)
- Easy installation
- High speed output direction data for JRC Radars (JRC NSK format)

## SPECIFICATIONS

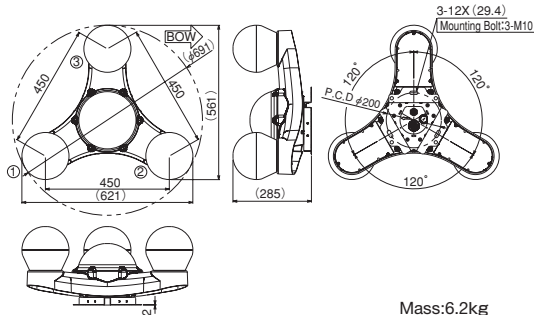
Model Name		JLR-20
Sensor unit NNN-20	Receiver type	Multichannel (12 + 1ch) all-in-view
	Frequency	1575.42MHz ± 1MHz (C/A code)
	Direction accuracy	0.5° rms
	Resolution	Display: 0.1°, Output: 0.1° or 0.01°
	Tracking rate of turn	45° /sec
	Tracking acceleration	1G
	Settling time	2minutes (warm start fix)
	DGPS input	RTCM SC-104 Ver2.0 type 1,2,7,9
	SBAS (WAAS/EGNOS/MSAS) receiver	built-in
	RAIM function	built-in
Display unit NWZ-4700	Presentation	5.7" FSTN LCD, 320 × 240pixels
	Display modes	Compass rose, ROT, NAV, GPS status, etc.
	Direction/Navigation data output	IEC61162/NSK (shared) × 5port *IEC61162 output sentences : HDT, THS, ROT, ZDA, GGA, VTG, RMC, GBS, DTM, GSA, GSV, GNS, MSS, GST, GLL
	Current data input	1port (CUR, VBV)
	Alarm output (contact)	Alarm output × 2port Alarm ACK input × 1port
	LOG pulse output (contact)	LOG pulse output × 1port
Power supply voltage		12/24VDC ( + 30%, - 10%)
Power consumption		Sensor unit: 5.5W(max) Display unit: 12W(max)
Operating temperature		Sensor unit: - 25°C ~ + 55°C Display unit: - 15°C ~ + 55°C
Storage temperature		- 25°C ~ + 70°C
Water proof		Sensor unit: IEC60945 ed.4(USCG CFR-46/IPX6) Display unit: IPX4
Vibration/EMC		IEC60945 ed.4
Component	User's Manual	7ZPNA4026 (English)
	Power cable	CFQ-7257 (2m, w/i fuse holder)
	Connecting cable (Sensor-Display)	CFQ-7248 (10m)
	Fuse	MF60NR 250V 2(2A)
	Ferrite core	TFC-23-11-14
	Tapping screw (for table mounting)	MPTG31659
	Console mounting kit	MPTG31962
Option	Rectifier	NBA-3747
	Data cable (for serial data)	CFQ-5374 (3m)
	Data cable (for contact signal)	CFQ-5404 (3m)
	Extension cable (Sensor-Display)	CFQ-7249 (20m)
	NNN-20 mounting base	MPBX44117
Junction box		NQE-7720

## CONFIGURATION



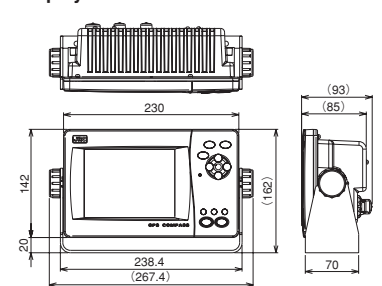
## OUTLINE DRAWING

Sensor unit NNN-20



Mass:6.2kg  
(Unit:mm)

Display unit NWZ-4700



Mass:2.3kg  
(Unit:mm)

• Specifications may be subject to change without notice.

For further information, contact:

**JRC**  
Since 1915

**Japan Radio Co., Ltd.**

URL <http://www.jrc.co.jp/>

**Main Office:** Nittochi Nishi-Shinjuku bldg.  
10-1, Nishi-Shinjuku 6-chome  
Shinjuku-ku, Tokyo 160-8328, Japan  
Telephone: +81-3-3348-4099  
Facsimile: +81-3-3348-4139

**Overseas Branches :** Seattle, Amsterdam, Athens  
**Liaison Offices :** Taipei, Manila, Jakarta, Singapore,  
Hanoi, New York

25EM

ISO9001, ISO14001 Certified